



## Installation Manual - Grey Concealed Hinge System



### Specifications

Single Piece Load Capacity: 30kg

Opening Angle:  $\leq 180^\circ$

Door Width:  $\leq 940\text{mm}$

Door Panel Thickness:  $\geq 40\text{mm}$

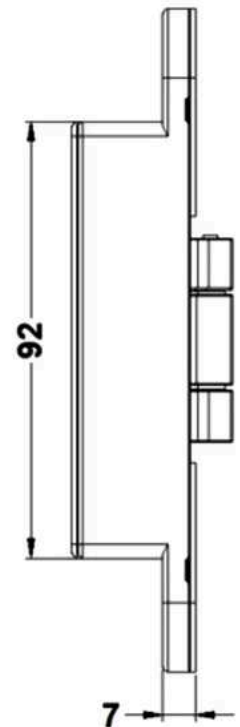
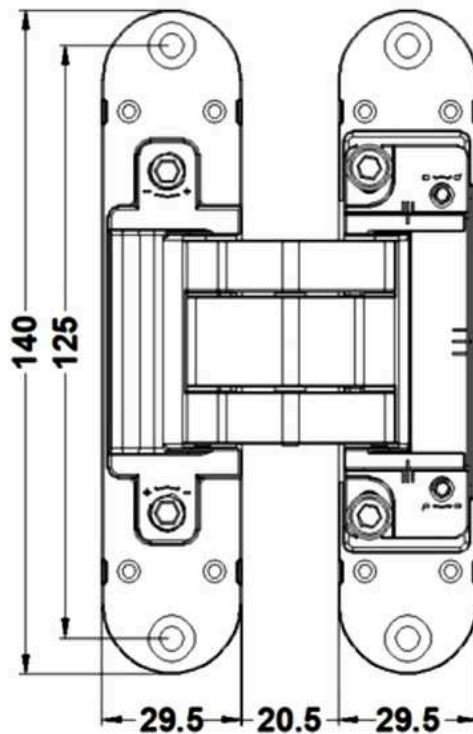
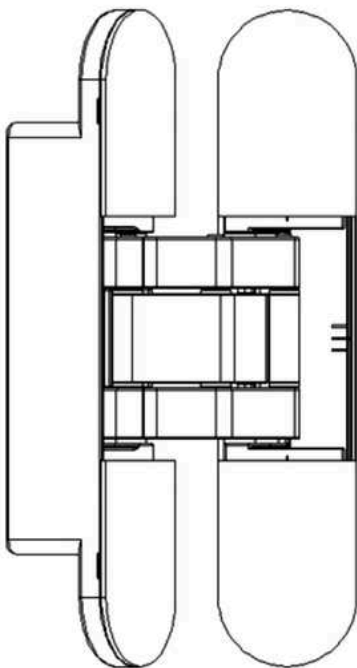
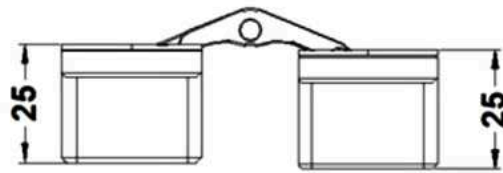
### Adjustable Performance:

$\pm 2.5\text{mm}$  up and down

$\pm 1\text{mm}$  front and back

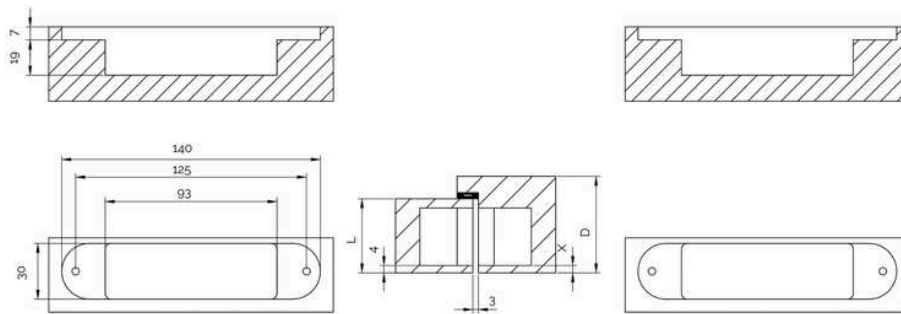
1.5mm left and right,

Dimensions listed in mm





## 1 Recessing on the door ( Door leaf and frame opening size )

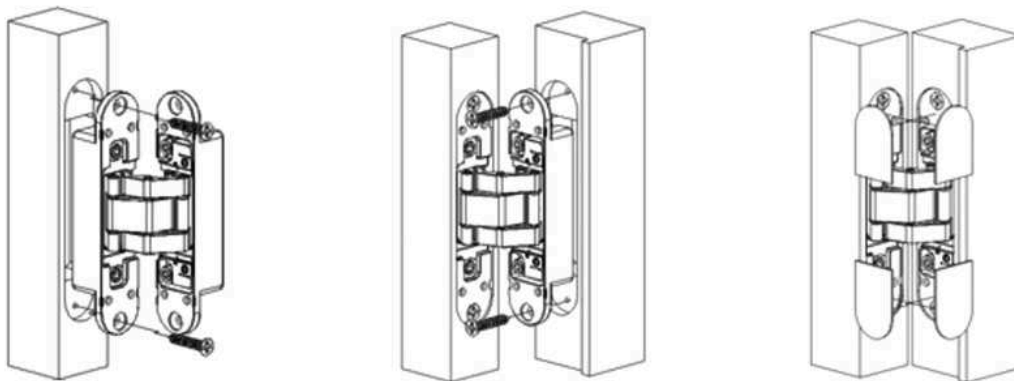


### Legend

- A = Depth of sealing strip to door frame edge
- B = Door leaf thickness
- A-B+4 = Measure X value
- X value range 4-5mm
- Dimensions listed in mm

## 2 Installation

- a. Specifications Single Piece Load Capacity: 30kg Opening Angle:  $\leq 180^\circ$  Door Width:  $\leq 940\text{mm}$  Door Panel Thickness:  $\geq 40\text{mm}$
- b. Attach the Hinge to the Door Frame: Position the installed hinge on the door leaf into the corresponding opening in the door frame (as shown in Figure 2). Secure it tightly using a Phillips screwdriver.
- c. Ensure Secure Installation: After installation, check that the hinge is firmly in place. The surface of the hinge should be flush with both the door frame and the door leaf.
- d. Test and Maintain: Open and close the door multiple times to ensure smooth operation. Keep the hinge clean, and if needed, apply a small amount of lubricating oil for optimal performance.



## 3 Adjustment Instructions

Up and Down: Loosen the C/C screw by turning it counterclockwise, adjust as needed, then tighten it securely.

Front and Rear: Turn the B/B screw counterclockwise to adjust the position, then lock it in place.

Left and Right: Use a hex wrench on A/A'. Turn clockwise to widen the door gap and counterclockwise to narrow it. Note: Adjust both sides at the same time for proper alignment.

