



Installation Manual - Brushed Gold Concealed Hinge System



Specifications

Single Piece Load Capacity: 30kg

Opening Angle: $\leq 180^\circ$

Door Width: $\leq 940\text{mm}$

Door Panel Thickness: $\geq 40\text{mm}$

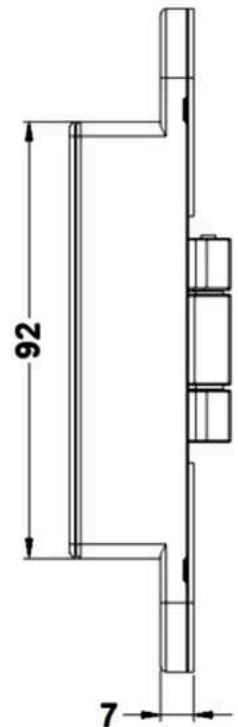
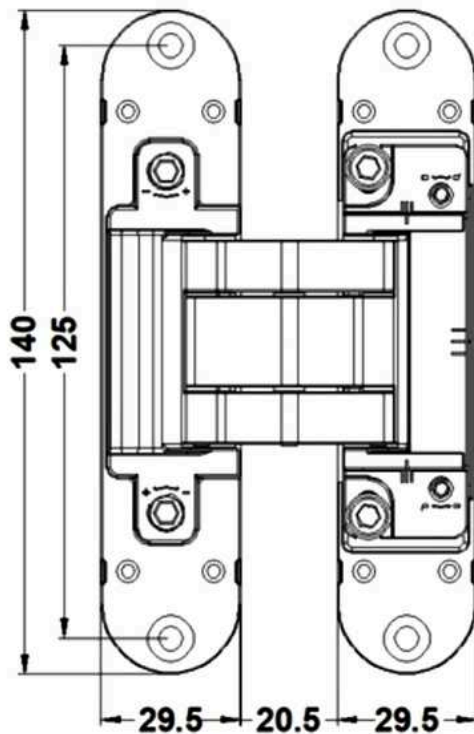
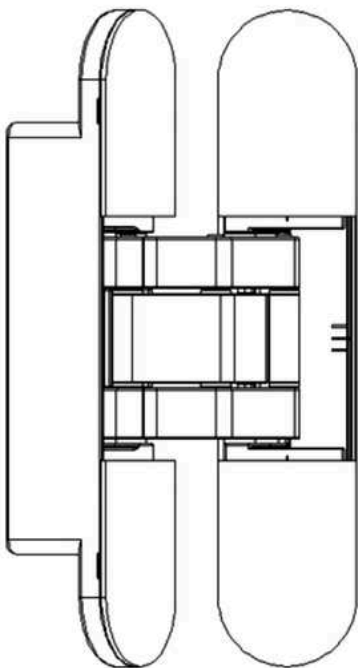
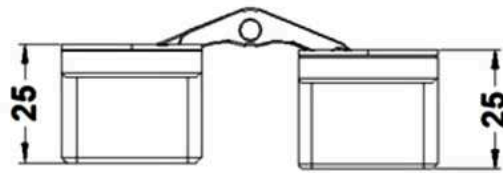
Adjustable Performance:

$\pm 2.5\text{mm}$ up and down

$\pm 1\text{mm}$ front and back

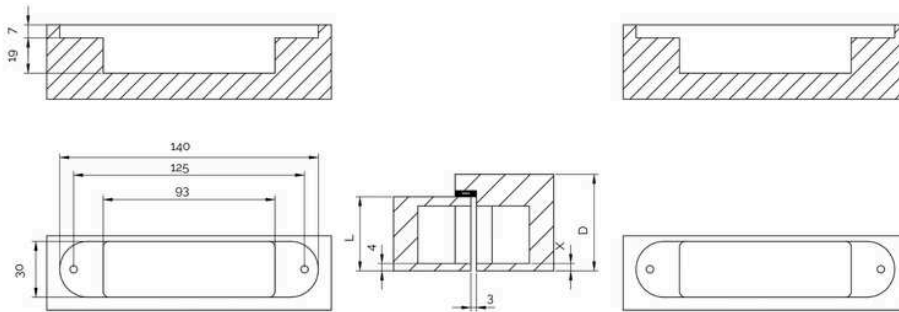
1.5mm left and right,

Dimensions listed in mm





1 Recessing on the door (Door leaf and frame opening size)



Legend

A = Depth of sealing strip to door frame edge

B = Door leaf thickness

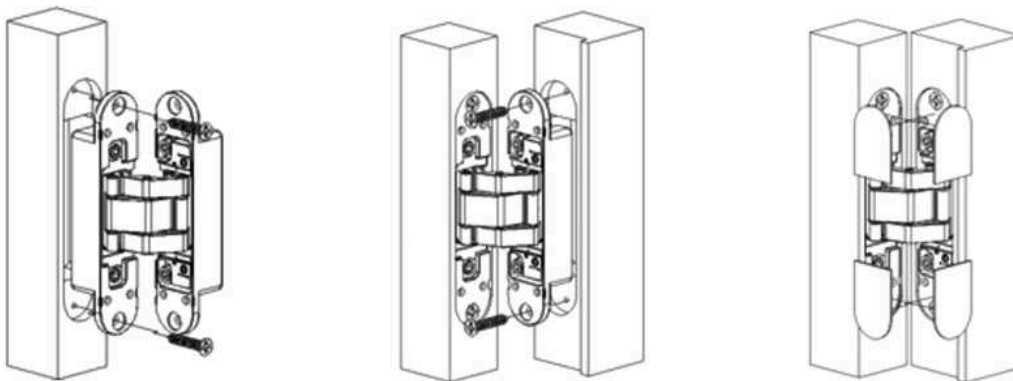
A-B+4 = Measure X value

X value range 4-5mm

Dimensions listed in mm

2 Installation

- Specifications Single Piece Load Capacity: 30kg Opening Angle: $\leq 180^\circ$ Door Width: $\leq 940\text{mm}$ Door Panel Thickness: $\geq 40\text{mm}$
- Attach the Hinge to the Door Frame: Position the installed hinge on the door leaf into the corresponding opening in the door frame (as shown in Figure 2). Secure it tightly using a Phillips screwdriver.
- Ensure Secure Installation: After installation, check that the hinge is firmly in place. The surface of the hinge should be flush with both the door frame and the door leaf.
- Test and Maintain: Open and close the door multiple times to ensure smooth operation. Keep the hinge clean, and if needed, apply a small amount of lubricating oil for optimal performance.



3 Adjustment Instructions

Up and Down: Loosen the C/C screw by turning it counterclockwise, adjust as needed, then tighten it securely.

Front and Rear: Turn the B/B screw counterclockwise to adjust the position, then lock it in place.

Left and Right: Use a hex wrench on A/A'. Turn clockwise to widen the door gap and counterclockwise to narrow it. Note: Adjust both sides at the same time for proper alignment.

