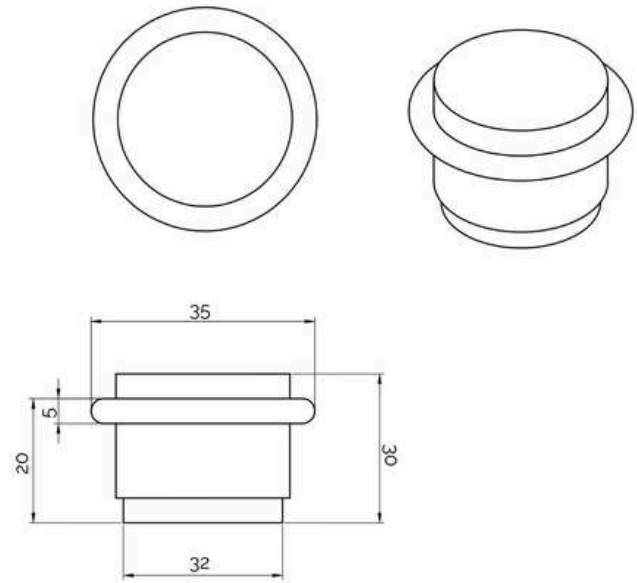




Installation Manual - Brushed Nickel Brass Door Stop



Dimensions listed in mm

Installation Instructions

- 1 Drill holes with 6mm diameter, 40mm depth.

Tap the plastic expansion screws into the holes.

The best installation effect is that the plastic expansion screws are perpendicular to the door at a 90 degree angle.

- 2 Tighten the self tapping screws.

- 3 Rotate the door stopper and adjust it to the desired height based on the height of your door above the ground.

